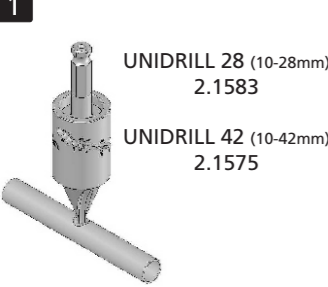


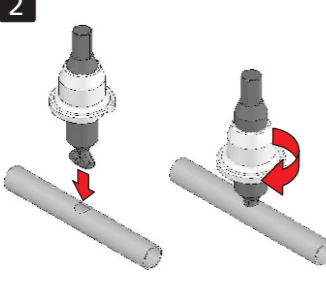
1



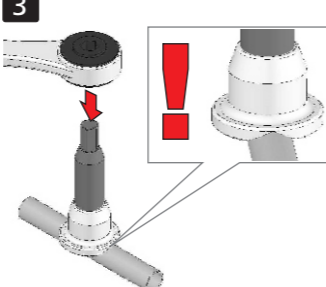
UNIDRILL 28 (10-28mm)
2.1583

UNIDRILL 42 (10-42mm)
2.1575

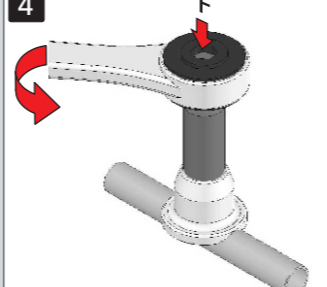
2



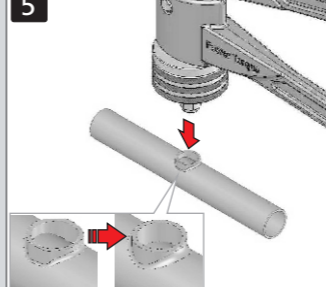
3



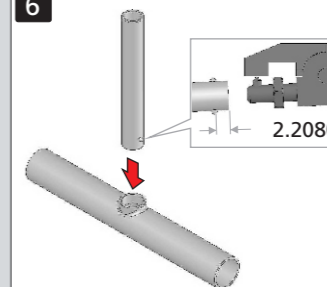
4



5



6



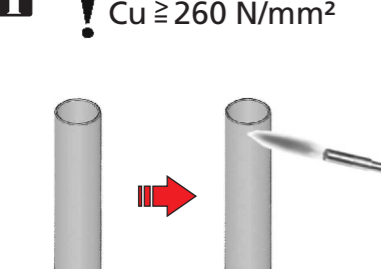
2.2080

i

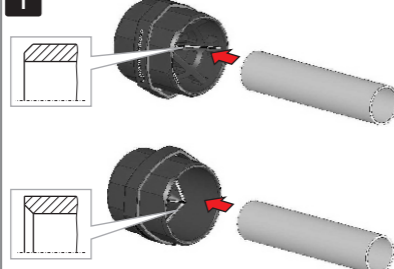


2.1549

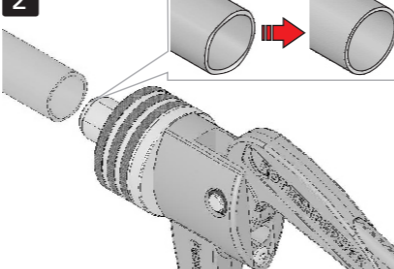
i ! $Cu \geq 260 \text{ N/mm}^2$



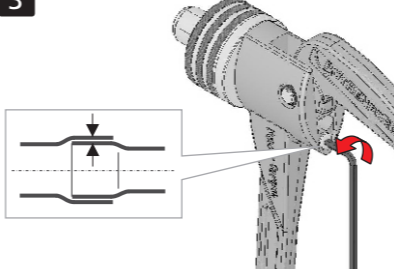
1



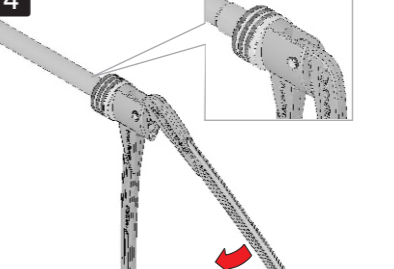
2




3



4



i



ROTHENBERGER-ROLOT 394

www.rothenberger.com